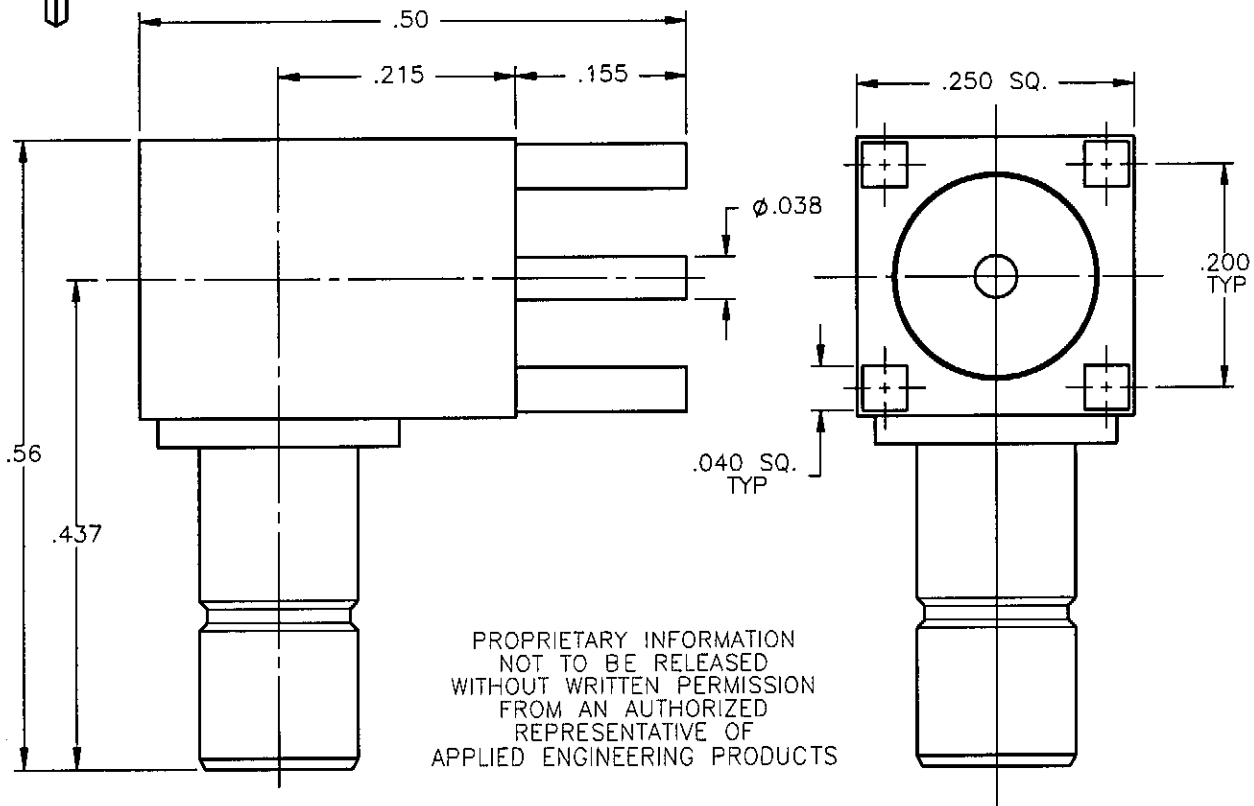
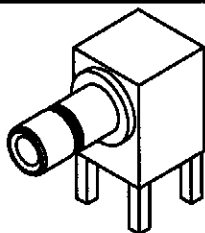


REVISIONS

REV.	DESCRIPTION	DATE	APPROVED
A	ECO #6874	10/10/07	A.D.M.





NOTES:

MATERIALS:

1. INSULATORS = VIRGIN WHITE TEFLON PER ASTM D1710, GRADE 1, TYPE I, CLASS "B".
2. ALL OTHER METAL PARTS = BRASS PER ASTM B16, ALLOY C36000, TEMPER H02.

FINISHES:

1. CONTACTS = GOLD PLATE PER MIL-G-45204, TYPE II, CLASS 1, GRADE C, OVER .00010 TO .00020 STRESS FREE SULFAMATE NICKEL PER QQ-N-290.
2. ALL OTHER METAL PARTS = NICKEL PLATE PER QQ-N-290, CLASS 1, GRADE G, EXCEPT .0001 TO .0002 THICK OVER .00005 TO .0001 THICK COPPER PER MIL-C-14550.

UNLESS OTHERWISE SPECIFIED DIMENSIONS ARE IN INCHES TOLERANCES ON		DWN:	DATE	 APPLIED ENGINEERING PRODUCTS 104 John W. Murphy Dr. New Haven, CT 06513 <i>a RADIALL company</i>			
		A.D.M.	10/10/07				
DECIMAL	ANGLE	CHKD:	DATE	SMB RIGHT ANGLE MALE JACK P.C.B. MOUNT RECEPTACLE			
		D.N.	10/10/07				
REFERENCE:		APVD:	DATE	SIZE	FSCM NO.	DWG NO.	REV
		J.M.	10/10/07	A	19505	2010-7511-002	A
ORIGINATED: M.MAGDA DATE: 03/01/83		MATERIALS & FINISHES: SEE NOTES		SCALE 6:1		THIRD ANGLE PROJECTION 	
						SHEET 1 OF 1	

2010-7511-002