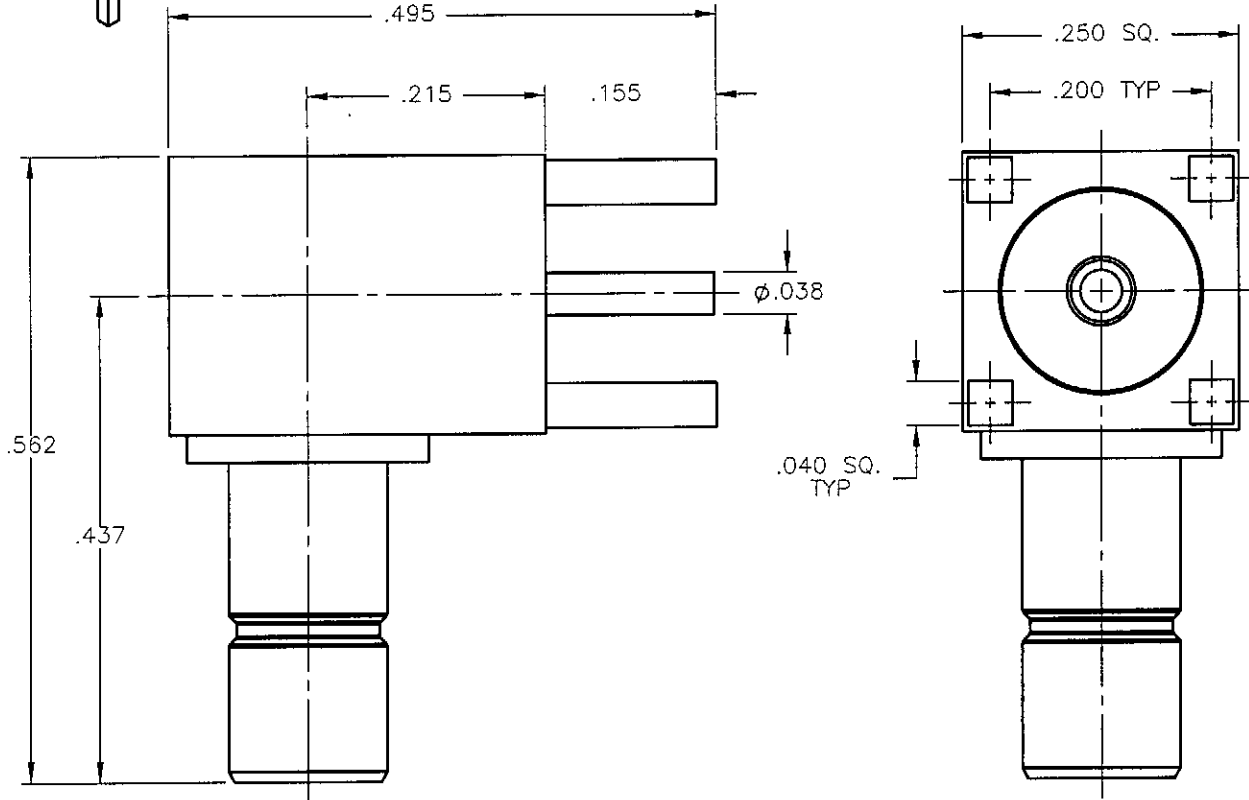


REVISIONS			
REV.	DESCRIPTION	DATE	APPROVED
A	INITIAL RELEASE	05/18/10	D.N.



NOTES: CONFORMS TO MIL-C-39012/96-0001

MATERIALS:

1. INSULATORS = VIRGIN WHITE TEFLON PER ASTM D1710, GRADE 1, TYPE I, CLASS "B".
2. ALL OTHER METAL PARTS = BRASS PER ASTM B16, ALLOY C36000, TEMPER H02.

FINISHES:

1. BODIES: GOLD PLATE PER MIL-G-45204, TYPE II, CLASS 1, GRADE C, OVER .0001 TO .0002 COPPER STRIKE PER MIL-C-14550.
2. CONTACTS = GOLD PLATE PER MIL-G-45204, TYPE II, CLASS 1, GRADE C, OVER .00010 TO .00020 STRESS FREE SULFAMATE NICKEL PER QQ-N-290.
3. CAP = GOLD PLATE PER MIL-G-45204, TYPE II, CLASS 0, GRADE C, OVER .00010 TO .00020 COPPER STRIKE PER MIL-C-14550.

UNLESS OTHERWISE SPECIFIED
DIMENSIONS ARE IN INCHES
TOLERANCES ON

DWN:	DATE
D.N.	05/18/10
CHKD:	DATE
A.D.M.	05/18/10
APVD:	DATE
J.M.	05/18/10



Property of Radiall
This document cannot be reproduced or
communicated to a third party without prior
written permission of RADIALL.

SMB RIGHT ANGLE MALE JACK
P.C.B. MOUNT RECEPTACLE

REFERENCE:
ORIGINATED: D.N.
DATE: 05/18/10

MATERIALS & FINISHES:
SEE NOTES

SIZE	FSCM NO.	DWG NO.	REV
A	19505	2010-1511-999	A
SCALE	THIRD ANGLE PROJECTION		SHEET 1 OF 1
6:1			

2010-1511-999