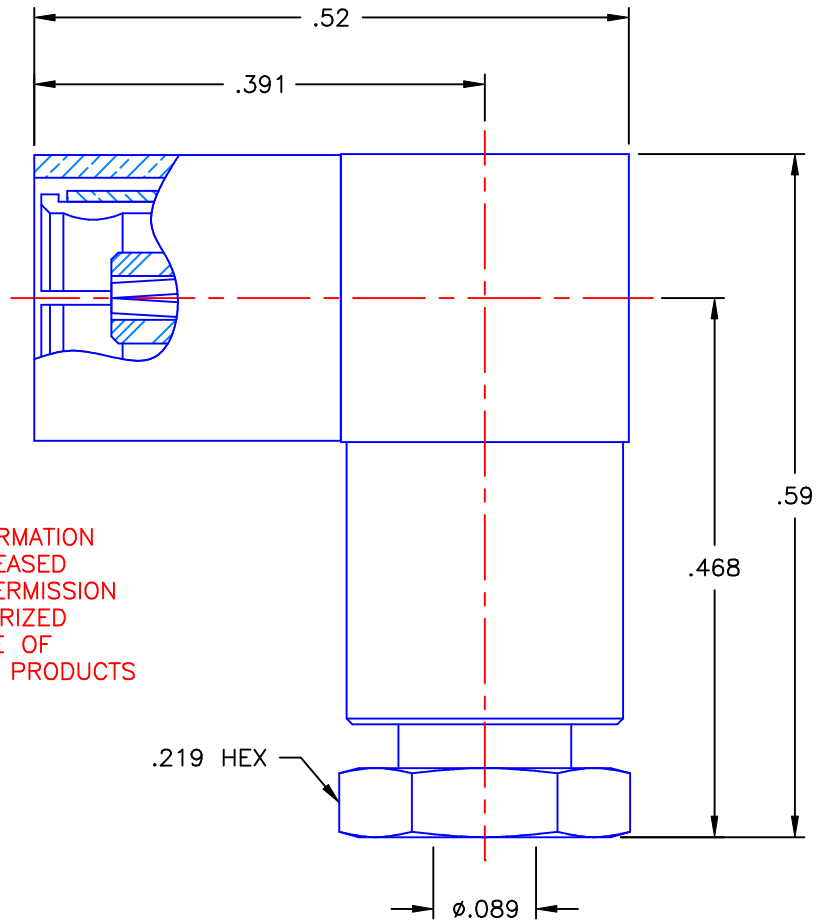


REVISIONS			
REV	DESCRIPTION	DATE	APPROVED
A	ECO #6209	04/20/06	A.D.M.



PROPRIETARY INFORMATION  
NOT TO BE RELEASED  
WITHOUT WRITTEN PERMISSION  
FROM AN AUTHORIZED  
REPRESENTATIVE OF  
APPLIED ENGINEERING PRODUCTS



NOTES:

MATERIALS:

1. INSULATORS = VIRGIN WHITE TEFLON PER ASTM D1710, GRADE 1, TYPE I, CLASS "B".
2. CONTACT & SPRING = BERYLLIUM COPPER PER ASTM B196, ALLOY C17300, TEMPER TD04.
3. SLEEVE = BRASS PER ASTM B16, ALLOY C36000, TEMPER H02, BRASS SPEC'D. @ 75-82 ROCKWELL "B" TENSILE STRENGTH 55-65 KPSI.
4. ALL OTHER METAL PARTS = BRASS PER ASTM B16, ALLOY C36000, TEMPER H02.

FINISHES:

1. CONTACT = GOLD PLATE PER MIL-G-45204, TYPE II, CLASS 1, GRADE C, OVER .00010 TO .00020 STRESS FREE SULFAMATE NICKEL PER QQ-N-290.
2. SPRING = NICKEL PLATE PER QQ-N-290, CLASS 1, GRADE G, EXCEPT .0001 TO .0002 THICK OVER .00005 TO .0001 THICK COPPER PER MIL-C-14550.
3. ALL OTHER METAL PARTS = GOLD PLATE PER MIL-G-45204, TYPE II, CLASS 0, GRADE C, OVER .00010 TO .00020 COPPER STRIKE PER MIL-C-14550.

UNLESS OTHERWISE SPECIFIED DIMENSIONS ARE IN INCHES TOLERANCES ON	DWN: A.D.M.	DATE 04/20/06	 <b>APPLIED ENGINEERING PRODUCTS</b> 104 John W. Murphy Dr. New Haven, CT 06513
	CHKD: D.N.	DATE 04/20/06	
DECIMAL	ANGLE	APVD: D.J.C.	DATE 04/20/06
		SMB RIGHT ANGLE FEMALE PLUG CLAMP TYPE FOR RG-178 AND SIMILAR CABLES	
REFERENCE:	MATERIALS & FINISHES:	SIZE A	FSCM NO. 19505
ORIGINATOR: D.N. DATE: 04/20/89	SEE NOTES	DWG. NO. 2005-1551-002	REV A
		SCALE 6:1	THIRD ANGLE PROJECTION 
		SHEET 1 OF 1	

2005-1551-002