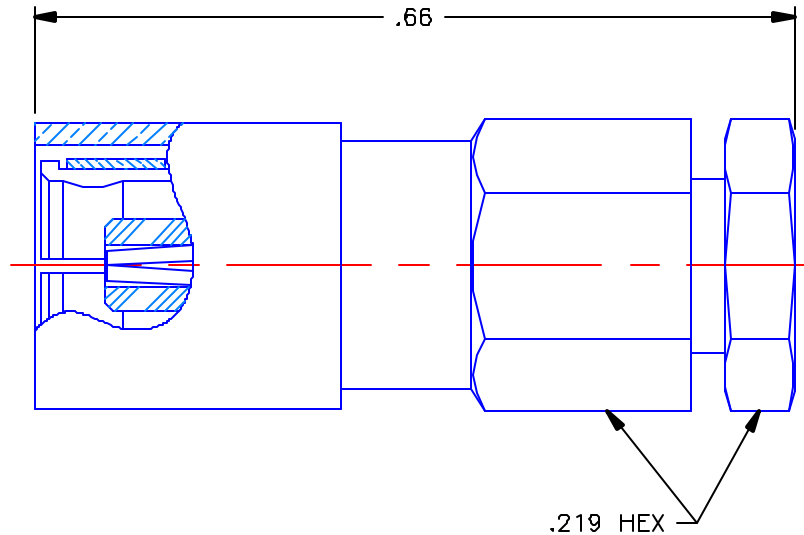


PROPRIETARY INFORMATION
 NOT TO BE RELEASED
 WITHOUT WRITTEN PERMISSION
 FROM AN AUTHORIZED
 REPRESENTATIVE OF
 APPLIED ENGINEERING PRODUCTS

REVISIONS			
REV	DESCRIPTION	DATE	APPROVED
A	ECO #5397	05/18/04	D.N.




NOTES: COMFORMS TO MIL-PRF-39012 SMB SERIES.

MATERIALS:

- CONTACT & SPRING = BERYLLIUM COPPER PER ASTM B196, ALLOY C17300, TEMPER TD04.
- INSULATOR = VIRGIN WHITE TEFLON PER ASTM D1710, GRADE 1, TYPE I, CLASS "B".
- ALL OTHER METAL PARTS = BRASS PER ASTM B16, ALLOY C36000, TEMPER H02

FINISHES:

- CONTACT = GOLD PLATE PER MIL-G-45204, TYPE II, CLASS 1, GRADE C, OVER .00010 TO .00020 STRESS FREE SULFAMATE NICKEL PER QQ-N-290.
- SPRING = NICKEL PLATE PER QQ-N-290, CLASS 1, GRADE G, EXCEPT .0001 TO .0002 THICK OVER .00005 TO .0001 THICK COPPER PER MIL-C-14550.
- ALL OTHER METAL PARTS = GOLD PLATE PER MIL-G-45204, TYPE II, CLASS 0, GRADE C, OVER .00010 TO .00020 COPPER STRIKE PER MIL-C-14550

UNLESS OTHERWISE SPECIFIED DIMENSIONS ARE IN INCHES TOLERANCES ON	DWN:	DATE		APPLIED ENGINEERING PRODUCTS			
	D.N.	05/18/04		104 John W. Murphy Dr. New Haven, CT 06513			
DECIMAL	ANGLE	CHKD:	DATE	SMB STRAIGHT FEMALE PLUG CLAMP TYPE FOR RG-316 CABLE			
		A.D.M.	05/18/04				
		APVD:	DATE	SIZE	FSCM NO.	DWG. NO.	REV
		D.J.C.	05/18/04	A	19505	2002-1551-003	A
REFERENCE:	MATERIALS & FINISHES:		SCALE	SHEET		OF	
ORIGINATOR: D.N. DATE: 05/18/04	SEE NOTES		6:1	1		1	

2002-1551-003