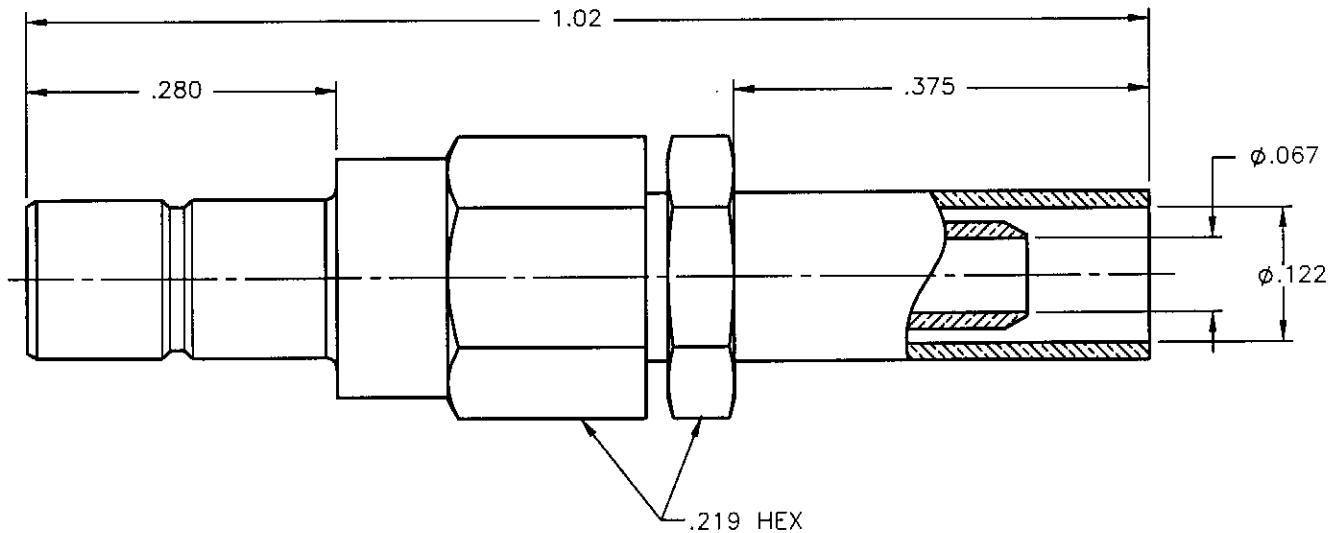
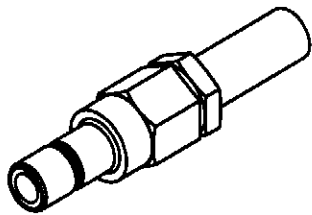


REVISIONS

REV.	DESCRIPTION	DATE	APPROVED
A	INITIAL RELEASE	06/15/09	A.D.M.



NOTES: CONFORMS TO MIL-C-39012/68B0010

MATERIALS:


1. INSULATORS = VIRGIN WHITE TEFLON PER ASTM D1710, GRADE 1, TYPE I, CLASS "B".
2. CRIMP SLEEVE = SEAMLESS LOWLEAD BRASS TUBE, ALLOY 330, SOFT ANNEAL TEMPER, .025/.060 GRAIN SIZE OR SEAMLESS COPPER TUBE PER ASTM B75, TYPE C12000, TEMPER: LIGHT ANNEAL O50 EXCEPT YIELD STRENGTH.
3. ALL OTHER METAL PARTS = BRASS PER ASTM B16, ALLOY C36000, TEMPER H02.
4. SHRINK SLEEVE (NOT SHOWN) = THERMOFIT SCL, BLACK.

FINISHES:

1. BODY = GOLD PLATE PER MIL-G-45204, TYPE II, CLASS 1, GRADE C, OVER .0001 TO .0002 COPPER STRIKE PER MIL-C-14550.
2. CONTACT = GOLD PLATE PER MIL-G-45204, TYPE II, CLASS 1, GRADE C, OVER .00010 TO .00020 STRESS FREE SULFAMATE NICKEL PER QQ-N-290.
3. ALL OTHER METAL PARTS = GOLD PLATE PER MIL-G-45204, TYPE II, CLASS 0, GRADE C, OVER .00010 TO .00020 COPPER STRIKE PER MIL-C-14550.

Property of Radiall Incorporated
This document cannot be reproduced or communicated to a third party without prior written permission of RADIALL Incorporated.

2001-1571-803

UNLESS OTHERWISE SPECIFIED DIMENSIONS ARE IN INCHES TOLERANCES ON	DWN: A.D.M.	DATE: 06/15/09	 APPLIED ENGINEERING PRODUCTS 104 John W. Murphy Dr. New Haven, CT 06513			
	CHKD: D.N.	DATE: 06/15/09				
	DECIMAL	ANGLE	APVD: J.M.	DATE: 06/15/09	SMB STRAIGHT MALE JACK CRIMP TYPE FOR RG-316 & SIMILAR CABLES	
REFERENCE:	MATERIALS & FINISHES: SEE NOTES	SIZE: A	FSCM NO.: 19505	DWG NO.: 2001-1571-803		
ORIGINATED: A.D.M. DATE: 06/15/09	SCALE: 6:1		THIRD ANGLE PROJECTION		SHEET 1 OF 1	