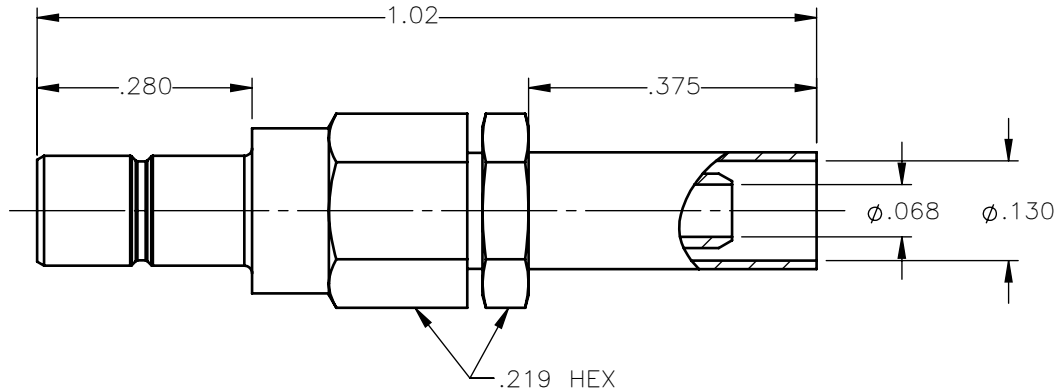
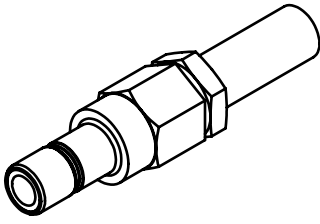


REVISIONS			
REV.	DESCRIPTION	DATE	APPROVED
A	INITIAL RELEASE	03/30/18	C.E.





NOTES:

MATERIALS:

1. INSULATORS = VIRGIN WHITE TEFLON PER ASTM D1710, GRADE 1, TYPE I, CLASS "B".
2. CRIMP SLEEVE = SEAMLESS LOWLEAD BRASS TUBE, ALLOY 330, SOFT ANNEAL TEMPER, .025/.060 GRAIN SIZE OR SEAMLESS COPPER TUBE PER ASTM B75, TYPE C12000, TEMPER: LIGHT ANNEAL O50 EXCEPT YIELD STRENGTH.
3. ALL OTHER METAL PARTS = BRASS PER ASTM B16, ALLOY C36000, TEMPER H02.

FINISHES:

1. CONTACT = GOLD PLATE PER ASTM B488-11, TYPE II, 50µin MIN, GRADE C, OVER 100 TO 200µin STRESS FREE SULFAMATE NICKEL PER AMS-QQ-N-290.
2. ALL OTHER METAL PARTS = GOLD PLATE PER ASTM B488-11, TYPE II, 30µin MIN, GRADE C OVER 100 TO 200µin COPPER STRIKE PER AMS 2418.

UNLESS OTHERWISE SPECIFIED DIMENSIONS ARE IN INCHES TOLERANCES ON	DWN: C.E.	DATE: 03/30/18	 Property of Radiall This document cannot be reproduced or communicated to a third party without prior written permission of RADIALL.			
	CHKD: D.N.	DATE: 03/30/18				
DECIMAL	ANGLE	APVD: J.M.	DATE: 03/30/18	SMB STRAIGHT MALE JACK CRIMP TYPE FOR RG-316DS AND SIMILAR CABLES		
REFERENCE:	MATERIALS & FINISHES:	SIZE: A	FSCM NO.: 19505		DWG NO.: 2001-1571-019	REV: A
ORIGINATED: C.E. DATE: 03/30/18	SEE NOTES	SCALE: 4:1	THIRD ANGLE PROJECTION		SHEET 1 OF 1	

2001-1571-019