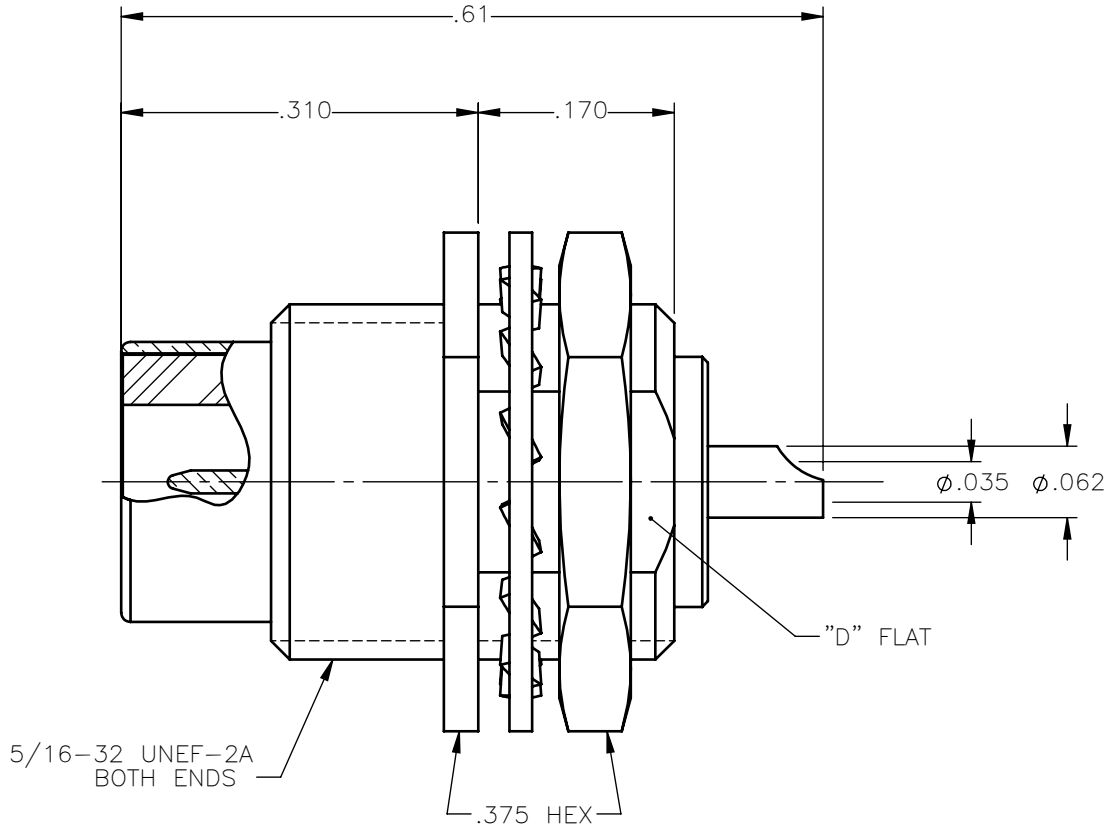


REVISIONS			
REV.	DESCRIPTION	DATE	APPROVED
A	INITIAL RELEASE	11/25/14	N.D.





NOTES:

MATERIALS:

1. LOCKWASHER = PHOSPHOR BRONZE PER ASTM B139, COPPER ALLOY C53400, TEMPER H04.
2. INSULATOR = VIRGIN WHITE TEFLON PER ASTM D1710, GRADE 1, TYPE I, CLASS "B".
3. ALL OTHER METAL PARTS = BRASS PER ASTM B16, ALLOY C36000, TEMPER H02.

FINISHES:

1. CONTACT = GOLD PLATE PER ASTM B488-01, TYPE II, 50µin MIN, GRADE C, OVER 100 TO 200µin STRESS FREE SULFAMATE NICKEL PER QQ-N-290.
2. ALL OTHER METAL PARTS = GOLD PLATE PER ASTM B488-01, TYPE II, 30µin MIN, GRADE C OVER 100 TO 200µin COPPER STRIKE PER MIL-C-14550.

UNLESS OTHERWISE SPECIFIED DIMENSIONS ARE IN INCHES TOLERANCES ON	DWN: N.D.	DATE: 11/25/14	 Property of Radiall This document cannot be reproduced or communicated to a third party without prior written permission of RADIALL.		
	CHKD: D.N.	DATE: 11/25/14			
	APVD: J.M.	DATE: 11/25/14			
DECIMAL	ANGLE	75 OHM STRIAIGHT MALE JACK SCREW ON FRONT MOUNT BULKHEAD RECEPTACLE			
REFERENCE:	MATERIALS AND FINISHES:	SIZE: A	FSCM NO.: 19505	DWG NO.: 1719-1511-000	REV: A
ORIGINATED: N.D. DATE: 11/25/14	SEE NOTES	SCALE: 6:1	THIRD ANGLE PROJECTION		SHEET 1 OF 1

1719-1511-000