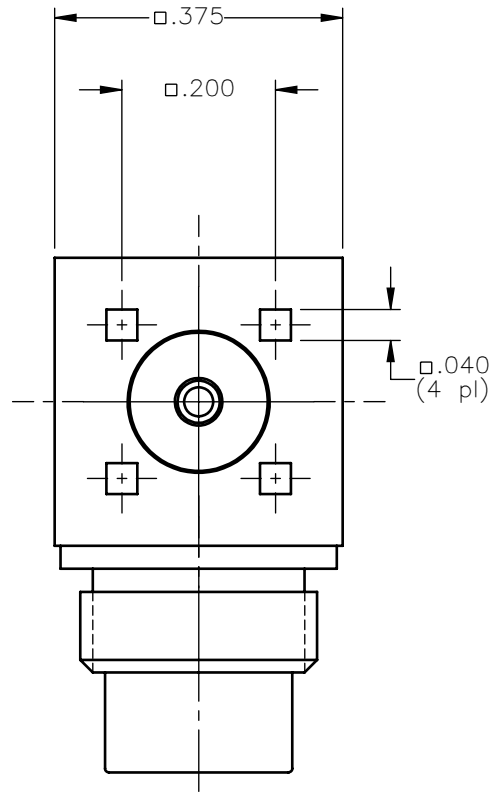
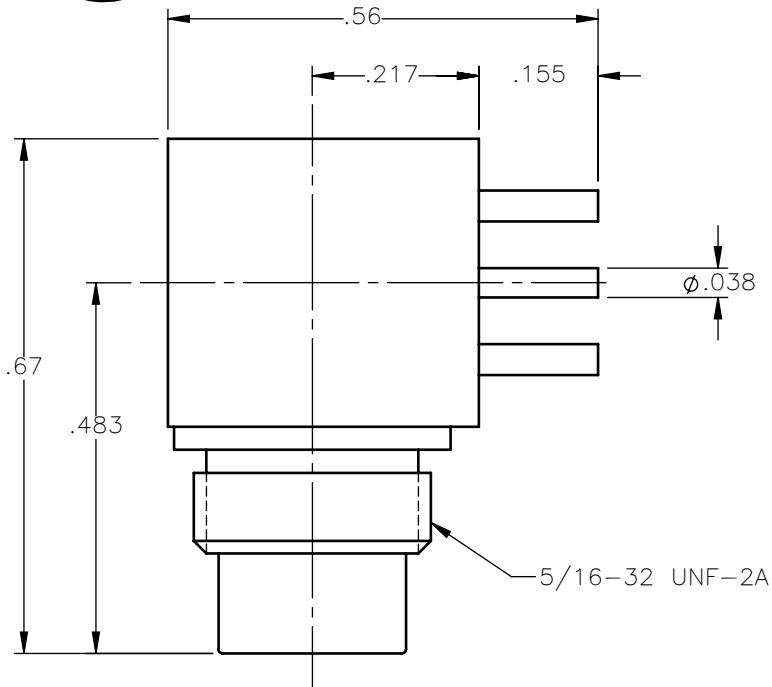
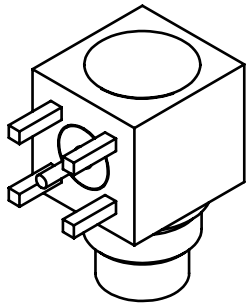


REVISIONS			
REV.	DESCRIPTION	DATE	APPROVED
A	INITIAL RELEASE	04/03/18	C.E.





NOTES:

MATERIALS:

1. INSULATORS = VIRGIN WHITE TEFLON PER ASTM D1710, GRADE 1, TYPE I, CLASS "B".
2. ALL OTHER METAL PARTS = BRASS PER ASTM B16, ALLOY C36000, TEMPER H02.

FINISHES:

1. BODIES & CAP = NICKEL PLATE PER AMS-QQ-N-290, CLASS 1, GRADE G, EXCEPT 100 TO 200 μ in THICK OVER 50 TO 100 μ in THICK COPPER PER AMS 2418.
2. CONTACTS = GOLD PLATE PER ASTM B488-11, TYPE II, 50 μ in MIN, GRADE C, OVER 100 TO 200 μ in STRESS FREE SULFAMATE NICKEL PER AMS-QQ-N-290.

UNLESS OTHERWISE SPECIFIED DIMENSIONS ARE IN INCHES TOLERANCES ON	DWN: C.E.	DATE: 04/03/18	 Property of Radiall This document cannot be reproduced or communicated to a third party without prior written permission of RADIALL.		
	CHKD: D.N.	DATE: 04/03/18			
DECIMAL	ANGLE	APVD: J.M.	DATE: 04/03/18	75 OHM RIGHT ANGLE JACK P.C. BOARD MOUNT RECEPTACLE	
REFERENCE:		MATERIALS & FINISHES:			
ORIGINATED: C.E. DATE: 04/03/18		SEE NOTES			
		SIZE: A	FSCM NO.: 19505	DWG NO.: 1710-7511-000	REV: A
		SCALE: 4:1		THIRD ANGLE PROJECTION	SHEET 1 OF 1

1710-7511-000