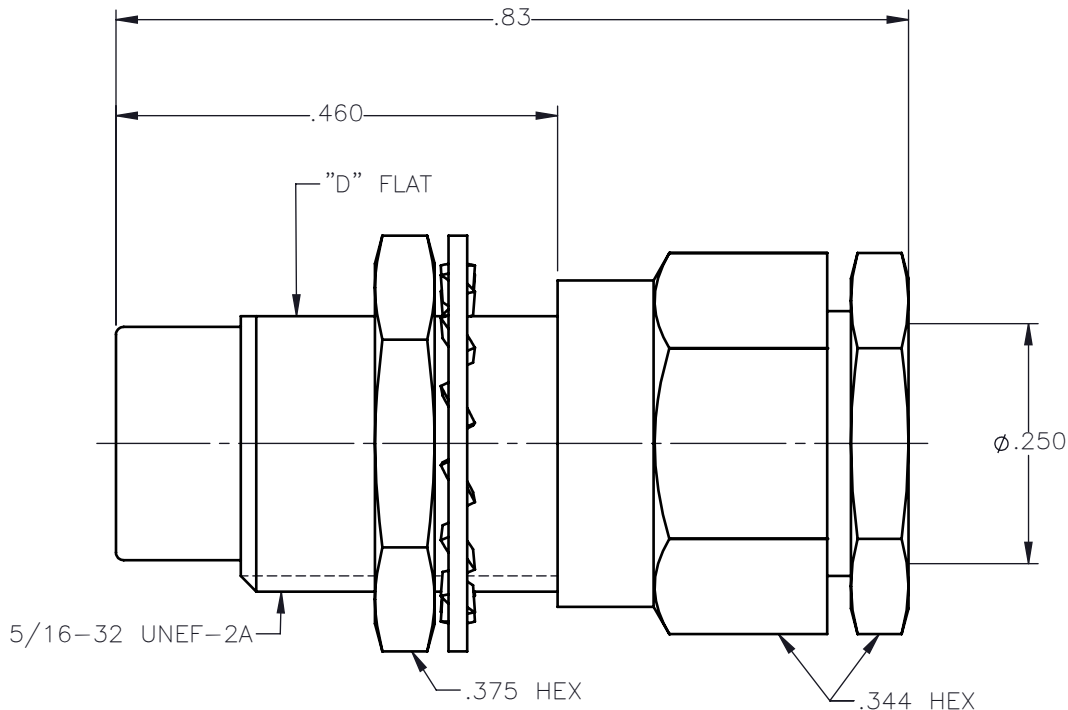


REVISIONS			
REV.	DESCRIPTION	DATE	APPROVED
A	INITIAL RELEASE	09/03/19	E.M.





NOTES:

MATERIALS:

1. INSULATORS = VIRGIN WHITE TEFLON PER ASTM D1710, GRADE 1, TYPE I, CLASS "B".
2. LOCKWASHER = PHOSPHOR BRONZE
3. ALL OTHER METAL PARTS = BRASS PER ASTM B16, ALLOY C36000, TEMPER H02.

FINISHES

1. CONTACT = GOLD PLATE PER ASTM B488 OR MIL-DTL-45204, TYPE II, 50µin MIN, GRADE C, OVER 100 TO 200µin SULFAMATE OR ELECTROLYTIC NICKEL PER AMS-QQ-N-290.
2. ALL OTHER METAL PARTS = GOLD PLATE PER ASTM B488 OR MIL-DTL-45204, TYPE II, 30µin MIN, GRADE C, OVER 100 TO 200µin COPPER STRIKE PER AMS 2418.

UNLESS OTHERWISE SPECIFIED DIMENSIONS ARE IN INCHES TOLERANCES ON	DWN: E.M.	DATE: 09/03/19	 Property of Radiall This document cannot be reproduced or communicated to a third party without prior written permission of RADIALL.		
	CHKD: J.S.	DATE: 09/03/19			
	APVD: J.M.	DATE: 09/03/19			
DECIMAL	ANGLE	75 ohm SCREW-ON STRAIGHT MALE JACK BULKHEAD MOUNT CLAMP TYPE FOR RG-59 & SIMILAR CABLES			
REFERENCE:	MATERIALS & FINISHES:	SIZE: A	FSCM NO.: 19505	DWG NO.: 1703-1551-007	REV: A
ORIGINATED: E.M. DATE: 09/03/19	SEE NOTES	SCALE: 5:1	THIRD ANGLE PROJECTION		SHEET 1 OF 1

1703-1551-007