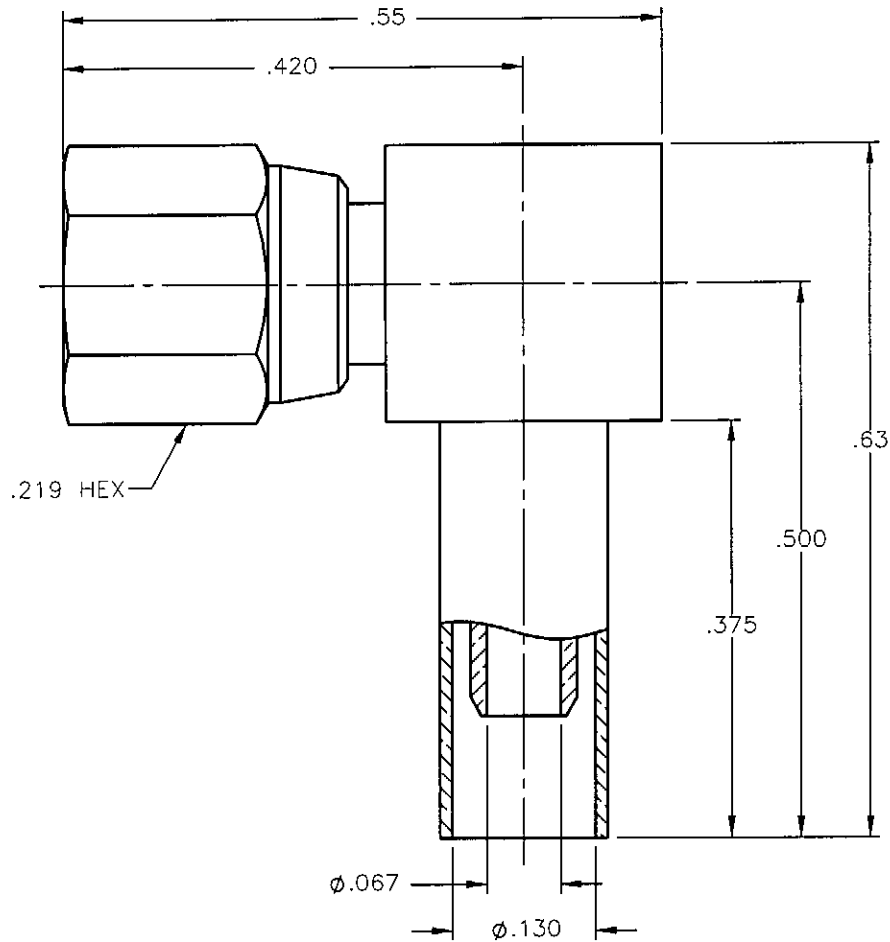


| REVISIONS |                 |          |          |
|-----------|-----------------|----------|----------|
| REV.      | DESCRIPTION     | DATE     | APPROVED |
| A         | INITIAL RELEASE | 11/17/09 | D.N.     |



NOTES:


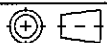
MATERIALS:

1. INSULATORS = VIRGIN WHITE TEFLON PER ASTM D1710, GRADE 1, TYPE I, CLASS "B".
2. CONTACT = BERYLLIUM COPPER PER ASTM B196, ALLOY C17300, TEMPER TD04.
3. CRIMP SLEEVE = SEAMLESS LOWLEAD BRASS TUBE, ALLOY 330, SOFT ANNEAL TEMPER, .025/.060 GRAIN SIZE OR SEAMLESS COPPER TUBE PER ASTM B75, TYPE C12000, TEMPER: LIGHT ANNEAL O50 EXCEPT YIELD STRENGTH.
4. ALL OTHER METAL PARTS = BRASS PER ASTM B16, ALLOY C36000, TEMPER H02.

FINISHES:

1. CONTACT = GOLD PLATE PER MIL-G-45204, TYPE II, CLASS 1, GRADE C, OVER .00010 TO .00020 STRESS FREE SULFAMATE NICKEL PER QQ-N-290.
2. ALL OTHER METAL PARTS = NICKEL PLATE PER QQ-N-290, CLASS 1, GRADE G, EXCEPT .0001 TO .0002 THICK OVER .00005 TO .0001 THICK COPPER PER MIL-C-14550.

Property of Radiall Incorporated  
 This document cannot be reproduced or  
 communicated to a third party without prior  
 written permission of RADIALL Incorporated.

|   |       |                                    |                           |  |
|---|-------|------------------------------------|---------------------------|--|
| UNLESS OTHERWISE SPECIFIED<br>DIMENSIONS ARE IN INCHES<br>TOLERANCES ON |       | DWN:<br>D.N.                       | DATE<br>11/17/09          |  <b>APPLIED ENGINEERING PRODUCTS</b><br>104 John W. Murphy Dr.<br>New Haven, CT 06513<br><b>a RADIALL company</b> |
| DECIMAL   | ANGLE | CHKD:<br>A.D.M.                    | DATE<br>11/17/09          |  |
|   |       | APVD:<br>J.M.                      | DATE<br>11/17/09          |  |
| REFERENCE:  |       | MATERIALS & FINISHES:<br>SEE NOTES |                           | <b>SMC RIGHT ANGLE FEMALE PLUG<br/>         CRIMP TYPE<br/>         FOR RG-316DS &amp; SIMILAR CABLES</b>  |
| ORIGINATED: D.N.<br>DATE: 11/17/09                                      |       | SIZE<br>A                          | FSCM NO.<br>19505         | DWG NO.<br><b>1105-7521-019</b><br>REV<br>A  |
|   |       | SCALE 6:1                          | THIRD ANGLE<br>PROJECTION |  SHEET 1 OF 1   |

1105-7521-019