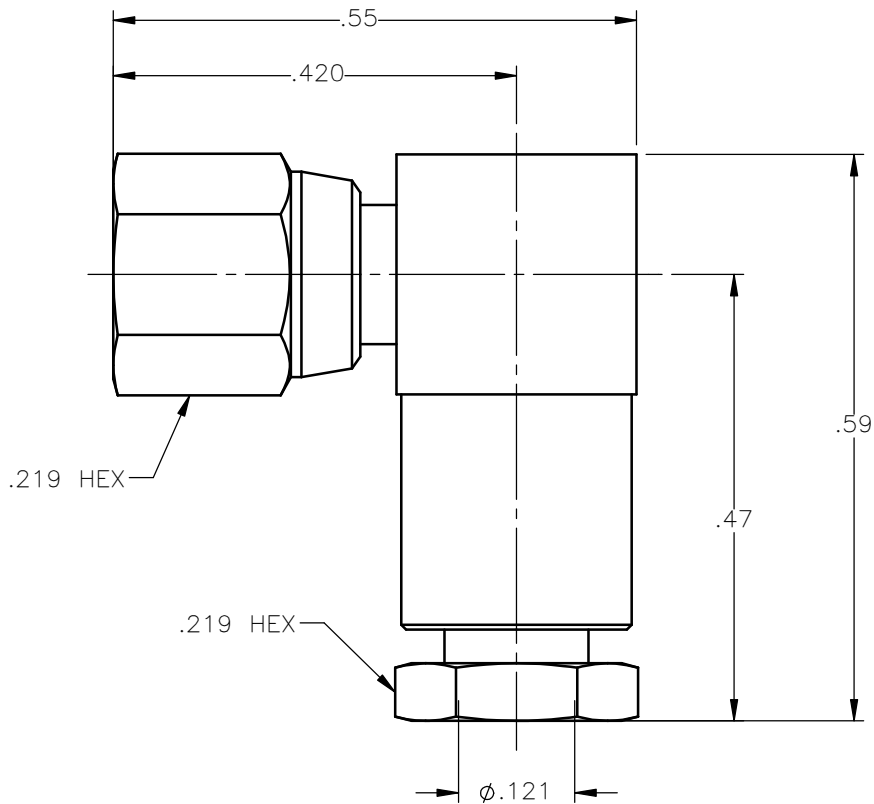


REVISIONS			
REV.	DESCRIPTION	DATE	APPROVED
A	INITIAL RELEASE	01/12/15	D.N.





NOTES:

MATERIALS:

1. CONTACT = BERYLLIUM COPPER PER ASTM B196, ALLOY C17300, TEMPER TD04.
2. INSULATORS = VIRGIN WHITE TEFLON PER ASTM D1710, GRADE 1, TYPE I, CLASS "B".
3. ALL OTHER METAL PARTS = BRASS PER ASTM B16, ALLOY C36000, TEMPER H02.

FINISHES:

1. CONTACT = GOLD PLATE PER ASTM B488-01, TYPE II, 50 μ in MIN, GRADE C, OVER 100 TO 200 μ in STRESS FREE SULFAMATE NICKEL PER QQ-N-290.
2. ALL OTHER METAL PARTS = NICKEL PLATE PER QQ-N-290, 50 μ in MIN, GRADE G, EXCEPT 100 TO 200 μ in THICK OVER 50 TO 100 μ in THICK COPPER PER MIL-C-14550.

UNLESS OTHERWISE SPECIFIED DIMENSIONS ARE IN INCHES TOLERANCES ON	DWN:	DATE		Property of Radiall			
	D.N.	01/12/15		This document cannot be reproduced or communicated to a third party without prior written permission of RADIALL.			
DECIMAL	ANGLE	CHKD:	DATE	SMC RIGHT ANGLE FEMALE PLUG CLAMP TYPE FOR RG-316 & SIMILAR CABLES			
		J.S.	01/12/15				
		APVD:	DATE	SIZE	FSCM NO.	DWG NO.	REV
		J.M.	01/12/15	A	19505	1005-7551-003	A
REFERENCE:	MATERIALS & FINISHES:	SEE NOTES		SCALE	5:1	THIRD ANGLE PROJECTION	SHEET 1 OF 1
ORIGINATED: D.N. DATE: 01/12/15							

1005-7551-003