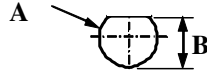
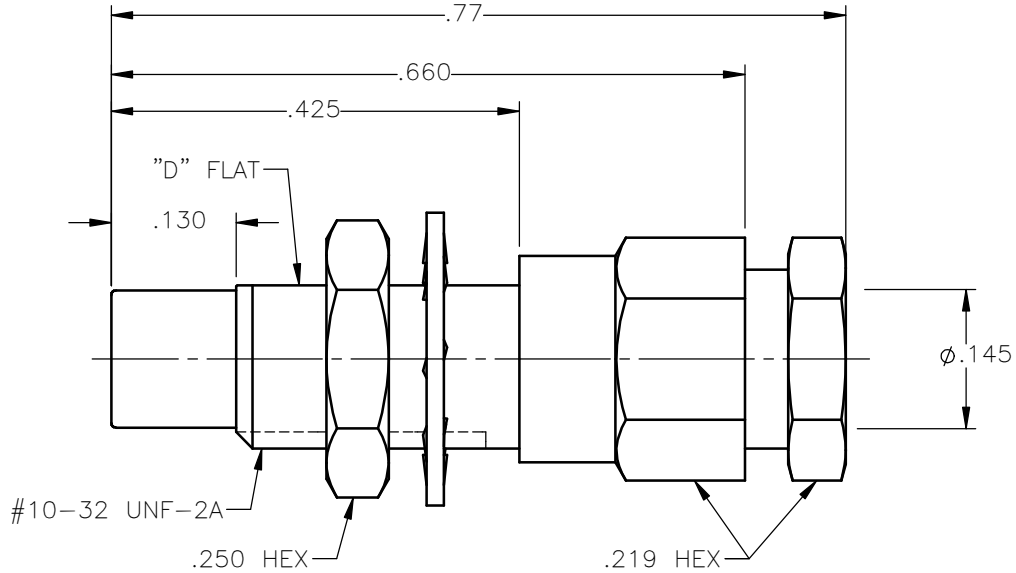


PANEL CUT OUT



inches		
	Maxi	mini
A	.198	.192
B	.183	.177

REVISIONS			
REV.	DESCRIPTION	DATE	APPROVED
A	INITIAL RELEASE	04/09/18	D.N.





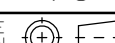
NOTES:

MATEIALS:

1. INSULATORS = VIRGIN WHITE TEFLON PER ASTM D1710, GRADE 1, TYPE I, CLASS "B".
2. LOCKWASHER = PHOSPHOR BRONZE PER ASTM B139, COPPER ALLOY C53400, TEMPER H04.
3. ALL OTHER METAL PARTS = BRASS PER ASTM B16, ALLOY C36000, TEMPER H02.

FINISHES:

1. CONTACT = GOLD PLATE PER ASTM B488-11, TYPE II, 50µin MIN, GRADE C, OVER 100 TO 200µin STRESS FREE SULFAMATE NICKEL PER AMS-QQ-N-290.
2. ALL OTHER METAL PARTS = GOLD PLATE PER ASTM B488-11, TYPE II, 30µin MIN, GRADE C OVER 100 TO 200µin COPPER STRIKE PER AMS 2418.

UNLESS OTHERWISE SPECIFIED DIMENSIONS ARE IN INCHES TOLERANCES ON	DWN: DATE	 Property of Radiall This document cannot be reproduced or communicated to a third party without prior written permission of RADIALL.									
	D.N. DATE										
DECIMAL	ANGLE	CHKD: DATE	SMC STRAIGHT MALE BULKHEAD JACK SOLDER/CLAMP TYPE FOR .141 S/R & SIMILAR CABLES								
		C.E. DATE									
		APVD: DATE									
REFERENCE:	MATERIALS & FINISHES:	J.M. DATE	<table border="1"> <tr> <td>SIZE</td> <td>FSCM NO.</td> <td>DWG NO.</td> <td>REV</td> </tr> <tr> <td>A</td> <td>19505</td> <td>1003-1541-009</td> <td>A</td> </tr> </table>	SIZE	FSCM NO.	DWG NO.	REV	A	19505	1003-1541-009	A
SIZE	FSCM NO.	DWG NO.	REV								
A	19505	1003-1541-009	A								
ORIGINATED: D.N. DATE: 04/09/18	SEE NOTES	SCALE 5:1	THIRD ANGLE PROJECTION  SHEET 1 OF 1								

1003-1541-009