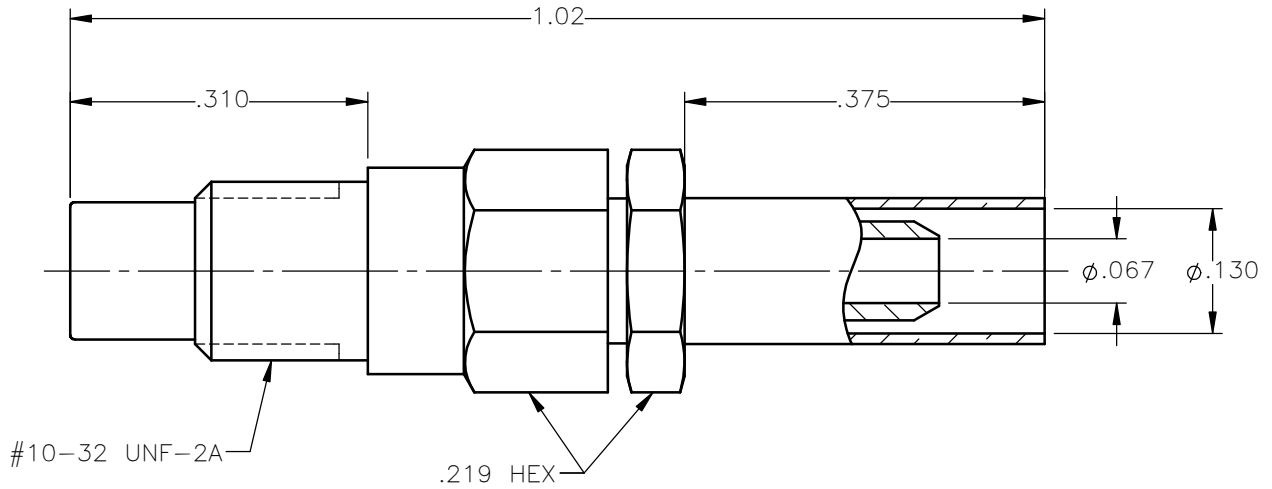


| REVISIONS | | | |
|-----------|-----------------|----------|----------|
| REV. | DESCRIPTION | DATE | APPROVED |
| A | INITIAL RELEASE | 03/02/18 | D.N. |





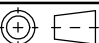
NOTES:

MATERIALS:

1. INSULATORS = VIRGIN WHITE TEFLON PER ASTM D1710, GRADE 1, TYPE I, CLASS "B".
2. CRIMP SLEEVE = SEAMLESS LOWLEAD BRASS TUBE, ALLOY 330, SOFT ANNEAL TEMPER, .025/.060 GRAIN SIZE OR SEAMLESS COPPER TUBE PER ASTM B75, TYPE C12000, TEMPER: LIGHT ANNEAL O50 EXCEPT YIELD STRENGTH.
3. ALL OTHER METAL PARTS = BRASS PER ASTM B16, ALLOY C36000, TEMPER H02.

FINISHES:

1. CONTACT = GOLD PLATE PER ASTM B488-11, TYPE II, 50µin MIN, GRADE C, OVER 100 TO 200µin STRESS FREE SULFAMATE NICKEL PER AMS-QQ-N-290.
2. ALL OTHER METAL PARTS = GOLD PLATE PER ASTM B488-11, TYPE II, 30µin MIN, GRADE C OVER 100 TO 200µin COPPER STRIKE PER AMS 2418.

| | | | | | | | |
|---|-----------------------|----------|---|--|----------|---|-----|
| UNLESS OTHERWISE SPECIFIED DIMENSIONS ARE IN INCHES TOLERANCES ON | DWN: | DATE |  | Property of Radiall | |  | |
| | D.N. | 03/02/18 | | This document cannot be reproduced or communicated to a third party without prior written permission of RADIALL. | | | |
| DECIMAL | ANGLE | CHKD: | DATE | SMC STRAIGHT MALE JACK CRIMP TYPE FOR RG-316DS & SIMILAR CABLES | | | |
| | | C.E. | 03/02/18 | | | | |
| | | APVD: | DATE | SIZE | FSCM NO. | DWG NO. | REV |
| | | J.M. | 03/02/18 | A | 19505 | 1001-1571-019 | A |
| REFERENCE: | MATERIALS & FINISHES: | | SCALE | THIRD ANGLE PROJECTION | | SHEET 1 OF 1 | |
| ORIGINATED: D.N. DATE: 03/02/18 | SEE NOTES | | 5:1 |  | | | |

1001-1571-019