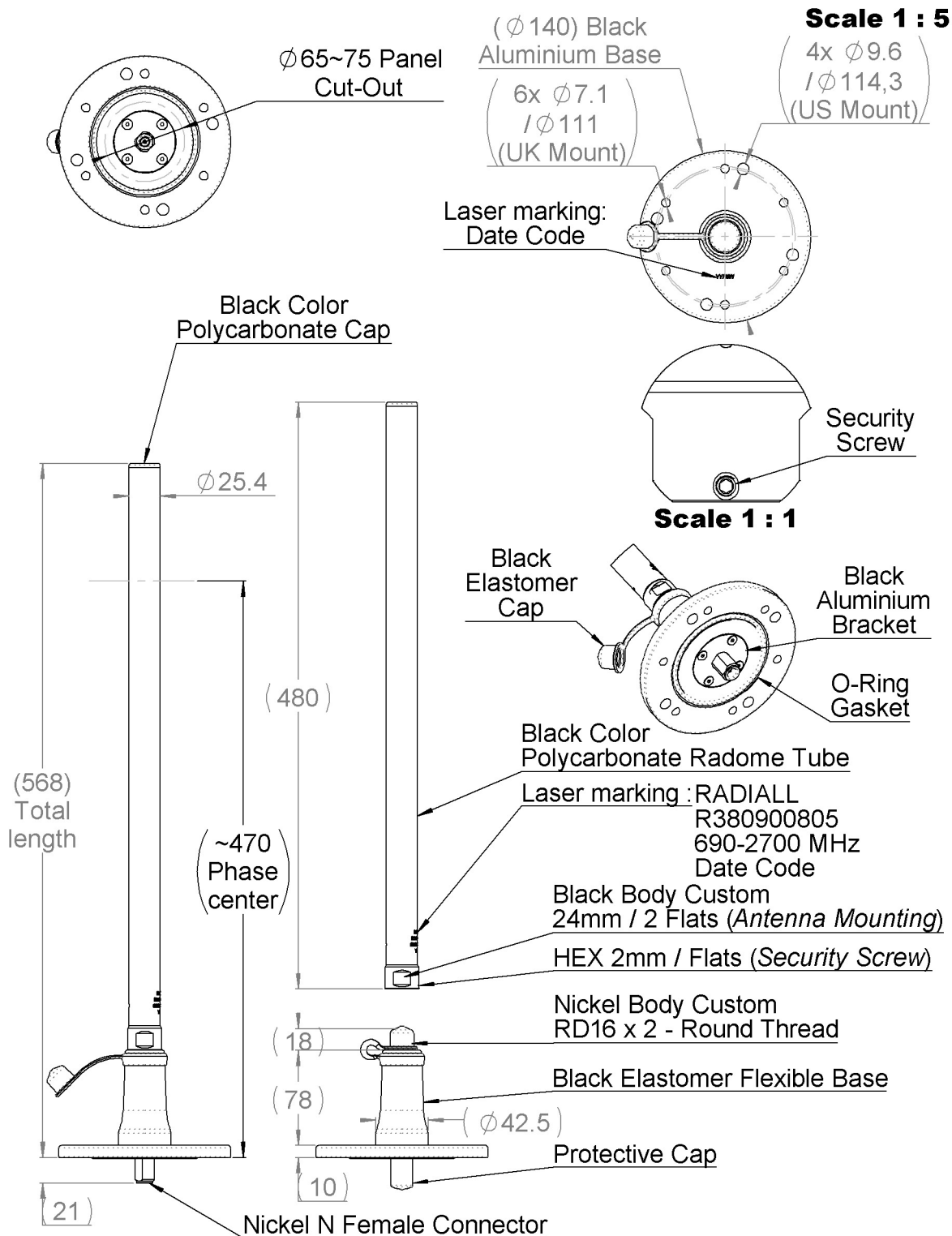


PAGE 1/3	ISSUE 02-03-26A	SERIES ANTENNA	PART NUMBER R380900805
----------	--------------------	-------------------	-------------------------------



All dimensions are in mm. Tolerances according ISO 2768 m-H

PAGE 2/3	ISSUE 02-03-26A	SERIES ANTENNA	PART NUMBER R380900805
----------	---------------------------	--------------------------	-------------------------------

The **R380900805** is Ground plane Independent Antenna that can be Mast-Mounted without particular impact on Electrical Performances.

ELECTRICAL CHARACTERISTICS

Frequency :	690-2700	MHz
Nominal Impedance :	50	Ω
VSWR :	3.0:1	Typ.
Gain :	0.5	dBi typ.
Radiation Pattern		
Horizontal Plane :	Omni-directional	
Vertical Plane :	See patterns	
Polarization :	LINEAR VERTICAL	
Power withstanding :	20	W CW
Connector (Antenna side) :	Custom	
Connector (NATO Base) :	N Female	

MECHANICAL CHARACTERISTICS

Antenna Color :	BLACK MATTE	
Antenna Radome Material :	PC	
Weight :	1	Kg
Total length (without N Connector) :	568	mm
Antenna Diameter :	25.4	mm
Antenna flexibility *:	+/- 90°	

ENVIRONMENTAL CHARACTERISTICS

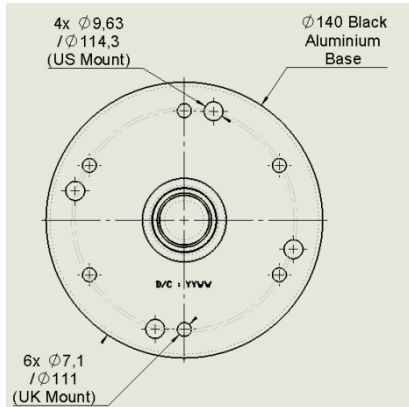
Operating temperature :	-40/+71	° C
Storage temperature :	-55/+85	° C
Immersion :	1m, for 1h	
MIL-STD-810H Compliant		

* With good damping thanks to the elastomer overmolding.

PAGE 3/3	ISSUE 02-03-26A	SERIES ANTENNA	PART NUMBER R380900805
----------	---------------------------	--------------------------	-------------------------------

MOUNTING INSTRUCTIONS

STEP 1:

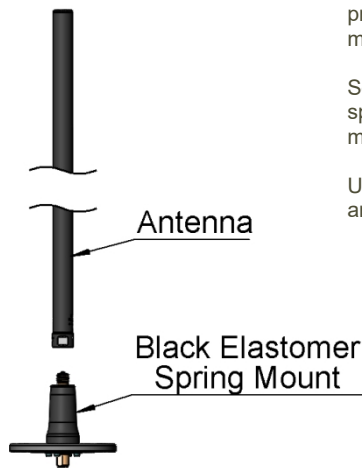


Secure the spring mount on the bracket or on the chassis of the vehicle using one of the two following options:

- Option A: use 4 3/8 screws (or eq.) to secure the mount through 4 holes equally spaced on a Ø114.3 mm circle.
- Option B: use 6 1/4 screws (or eq.) to secure the mount through 6 holes located on a Ø111 mm circle

Refer to the technical drawing of the base for more details on both options.
Washers should be used to prevent major scratches that might reduce the mount's compatibility to salt spray.

STEP 2:



Visually inspect the inner part of the connector of the antenna to make sure no sand, dirt or plastic material will prevent proper electrical mating.

Screw the antenna onto the spring mount until it comes a mechanical stop.

Use torque wrench to tighten antenna to a 5 N.m minimum.

STEP 3:



Secure the assembly using the M4 set screw provided with the antenna (2mm Allen Wrench), tighten to the stop or 1N.m.