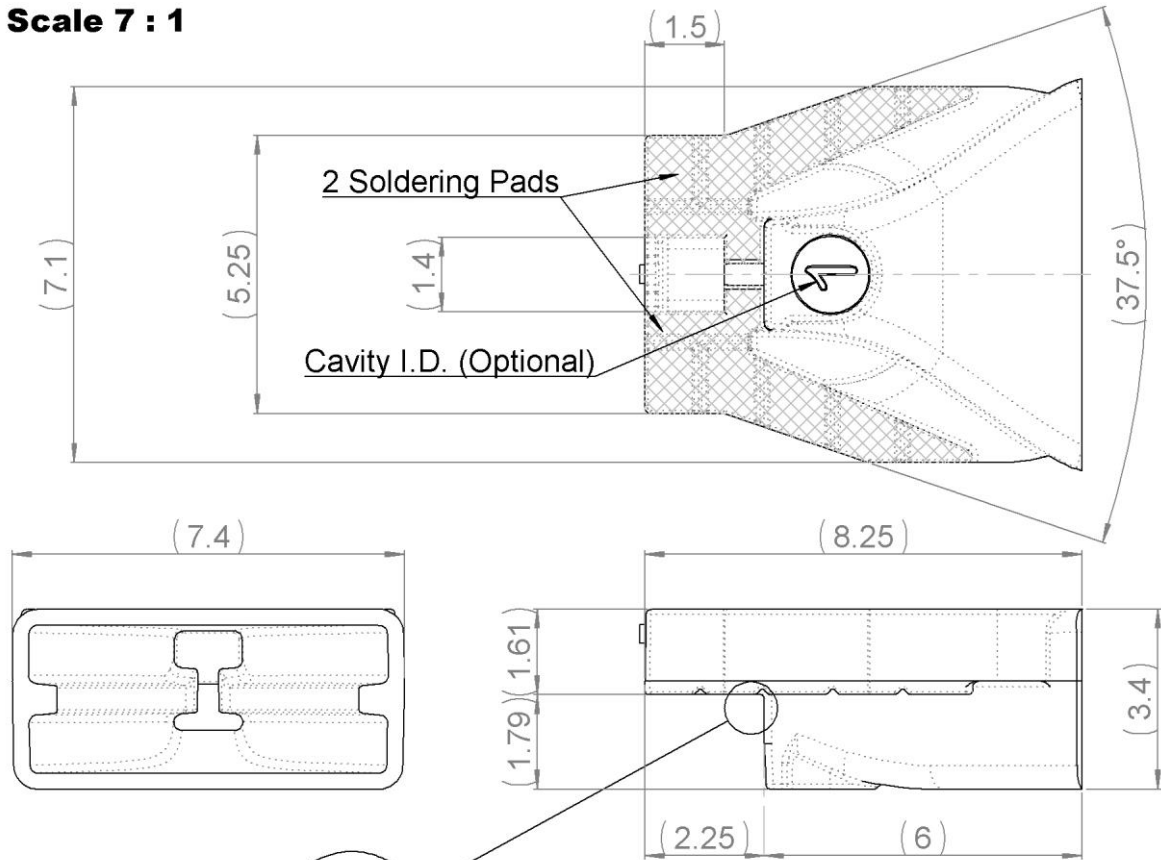
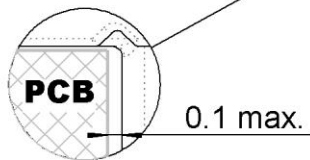


PAGE 1/5	ISSUE 10-12-20B	SERIES ANTENNA	PART NUMBER R380846002
----------	-----------------	----------------	------------------------

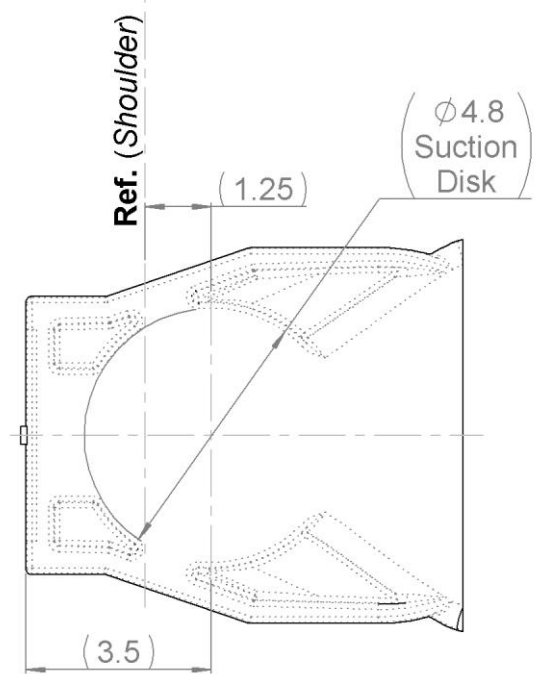
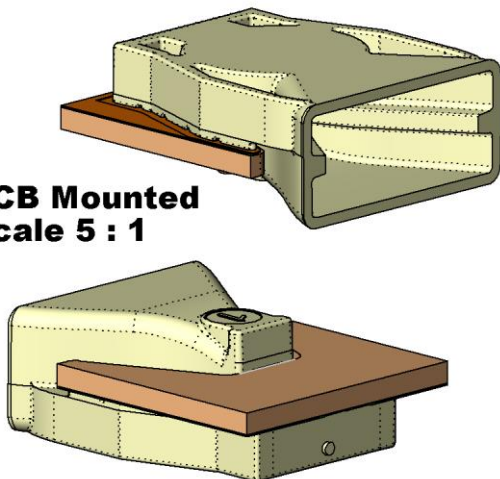
Scale 7 : 1



PCB Mounted Scale 20 : 1



PCB Mounted Scale 5 : 1



All dimensions are in mm. Tolerances according ISO 2768 m-H

Patented design.

COMPONENTS	MATERIALS	PLATING (µm)
Body	LCP (<i>Liquid Cristal Polymer</i>)	Gold

PAGE 2/5	ISSUE 10-12-20B	SERIES ANTENNA	PART NUMBER R380846002
----------	-----------------	----------------	------------------------

ELECTRICAL CHARACTERISTICS

Frequency Band	57 ~ 66	GHz
Nominal Impedance	50	Ω
Return Loss ⁽¹⁾	< -10	dB (Typ.)
Typical Far-Field Directivity	> 8	dBi
Radiation Pattern	Directional	(Horn)
Polarization	Linear Horizontal	
Relative Cross-Polarization Level	> 20	dB
ESD Protection	DC-Ground	

(1): *Measured on Reference Board (See Application Note "201910575-10_..._B_AN.pdf").*

(2): *Tape & Reel Packaging Conditions*

MECHANICAL CHARACTERISTICS

Weight	0.11	g $\pm 15\%$
Overall Dimensions	8.25 x 7.4 x 3.4	mm
Mounting Type	Edge-Card SMT	

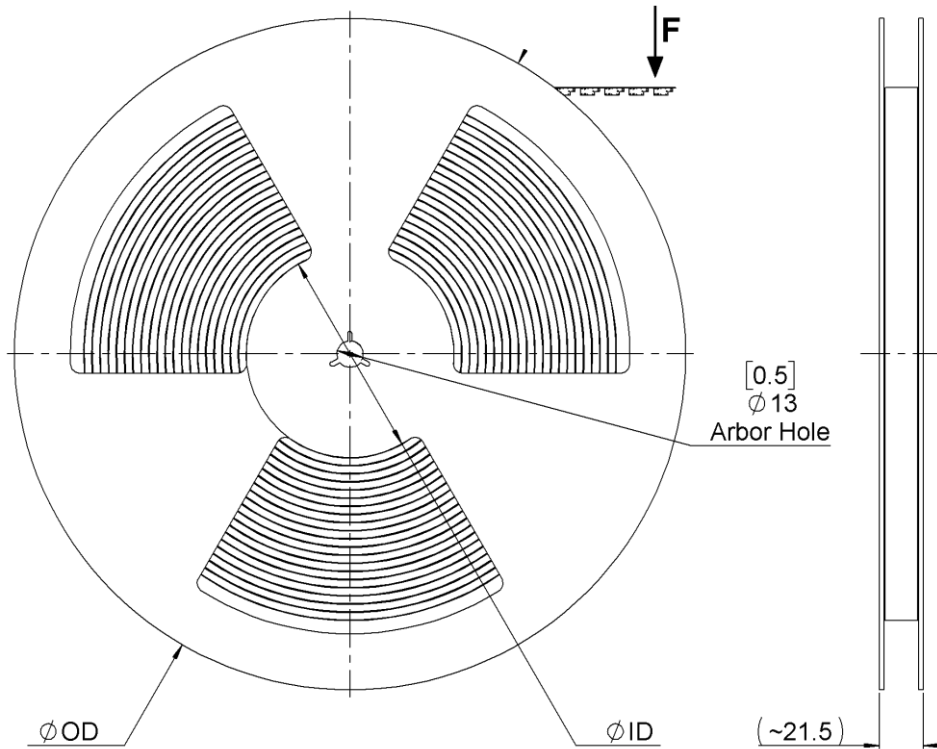
ENVIRONMENTAL CHARACTERISTICS

Extreme Storage Temperature ⁽²⁾	-20 / +55	$^{\circ}\text{C}$
Recommended Storage ⁽²⁾	25 \pm 15	$^{\circ}\text{C}$
(12 Months Shelf Life) ⁽²⁾	30 ~ 60	%RH
Reflow Temperature	260	$^{\circ}\text{C Max.}$
Operating Temperature Range	-40 / +125	$^{\circ}\text{C}$
ROHS & REACH status	See radiall.com/rohs	

PACKAGING SUFFIX

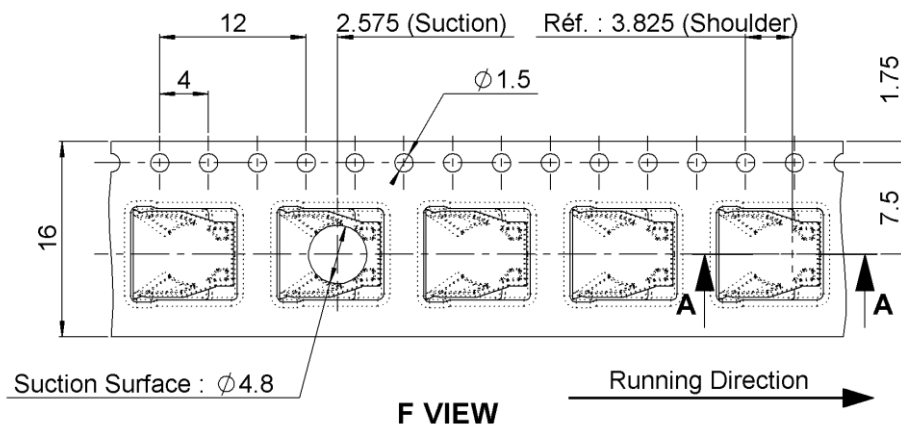
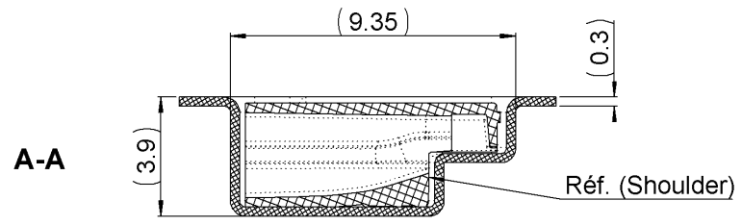
P/N Suffix	Packaging Type	OD	ID	Order Quantity
20	Large Reel	15"	4"	2000
01	Small Reel	7"	2.4"	100
<i>Other Packaging Available Upon Request</i>				

PACKAGING REEL

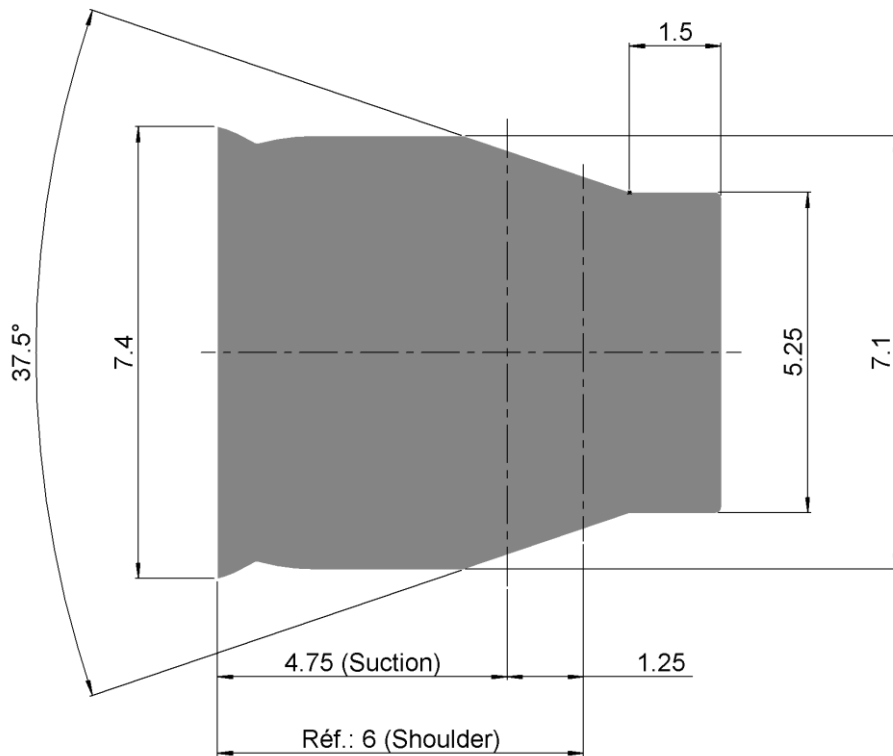


CARRIER TAPE

PAGE 3/5	ISSUE 10-12-20B	SERIES ANTENNA	PART NUMBER R380846002
----------	-----------------	--------------------------	-------------------------------

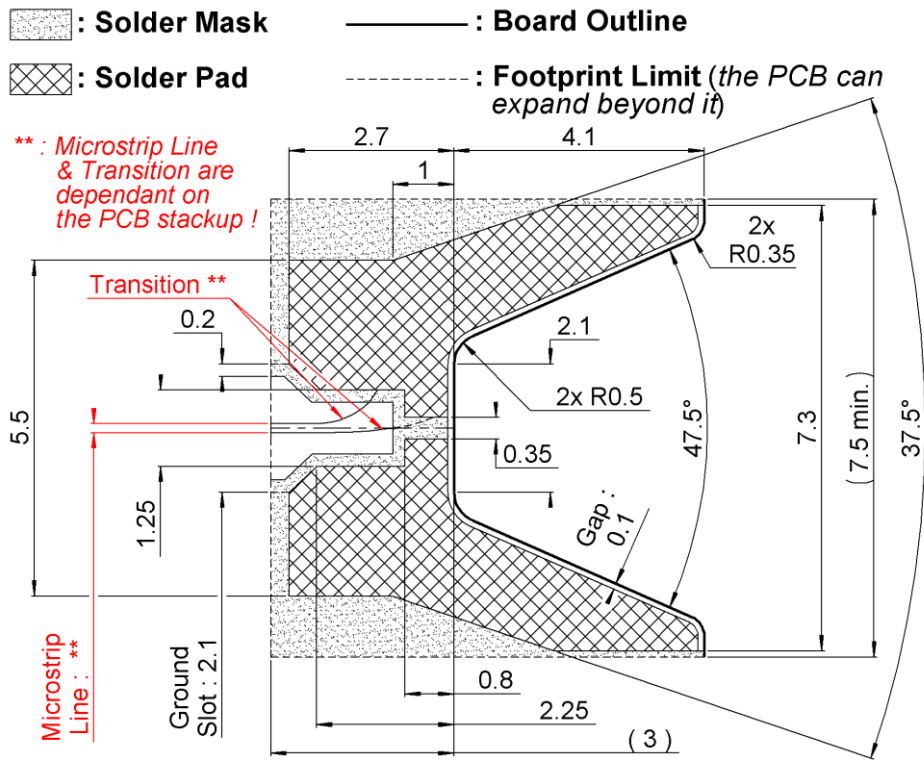


SHADOW FOR VIDEO CAMERA

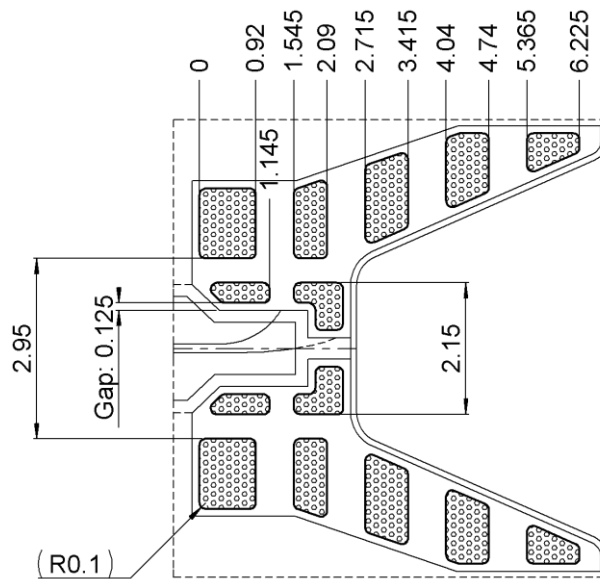


PAGE 4/5	ISSUE 10-12-20B	SERIES ANTENNA	PART NUMBER R380846002
----------	-----------------	-------------------	------------------------

TYPICAL SOLDER MASK & PAD



SOLDER PASTE (For 80-100µ Thickness Screens)

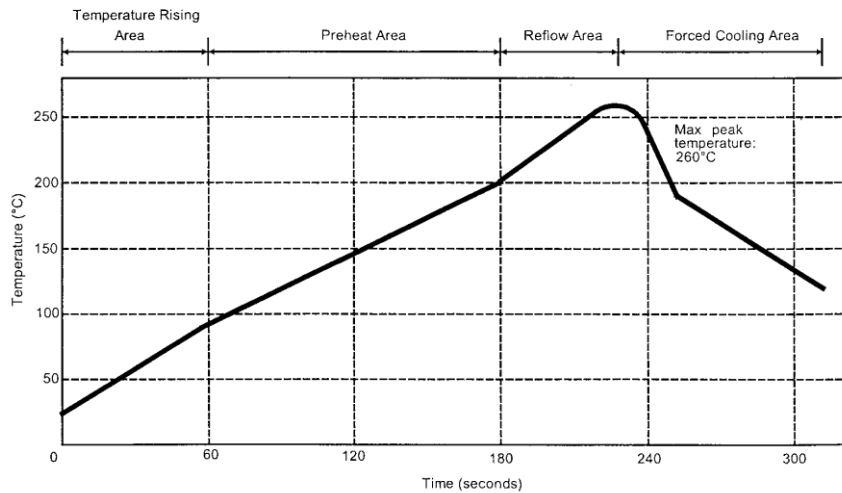


PAGE 5/5	ISSUE 10-12-20B	SERIES ANTENNA	PART NUMBER R380846002
----------	-----------------	--------------------------	-------------------------------

SOLDER PROCEDURE

1. Deposit solder paste 'SnAg4Cu0.5' (T4 or T5) on mounting zone by screen printing application. We recommend a low residue flux. We advise a thickness of 80 to 100 µm (3,150 to 3,940 mils). Verify that the edges of the zone are clean.
2. Placement of the receptacle on the mounting zone with an automatic machine of 'pick and place' type. A video camera is recommended for positioning of the component. Adhesive agents must not be used on the receptacle.
3. This process of soldering has been tested with convection oven .Below please find, the typical profile to use.
4. The cleaning of printed circuit boards is possible, but not mandatory.
5. Verification of solder joints and position of the component by visual inspection (*Component centered on pads, with 100µm max. gap between its shoulder & PCB edge*).

TEMPERATURE PROFILE



Parameter	Value	Unit
Temperature rising Area	1 - 4	°C/sec
Max Peak Temperature	260	°C
Max dwell time @260°C	10	sec
Min dwell time @235°C	20	sec
Max dwell time @235°C	60	sec
Temperature drop in cooling Area	-1 to - 4	°C/sec
Max dwell time above 100°C	420	sec