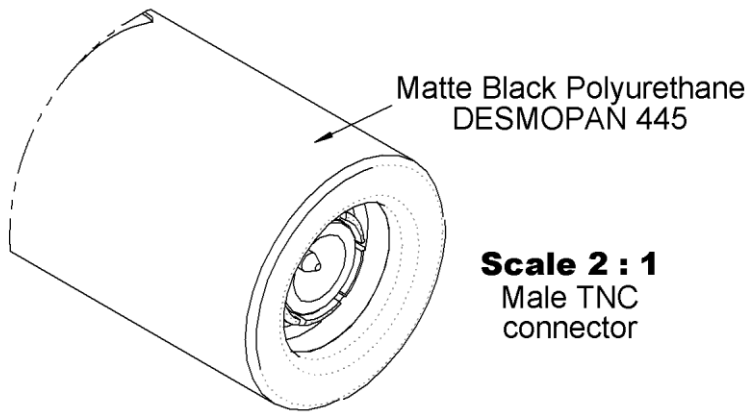
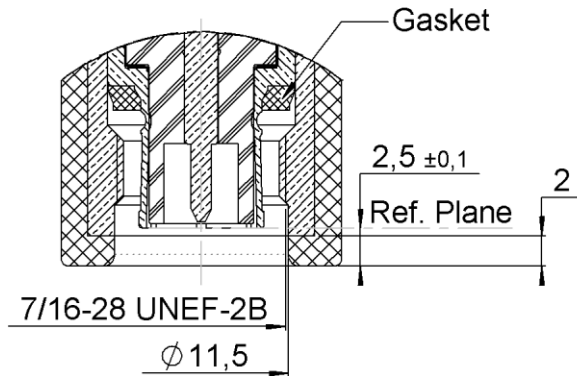
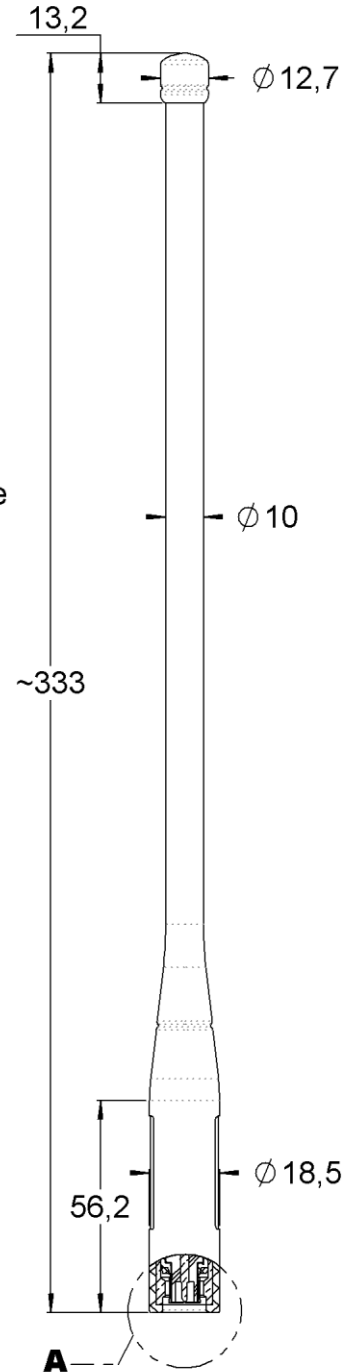


PAGE 1/2	ISSUE 01-10-15A	SERIES ANTENNA	PART NUMBER R380000169
----------	-----------------	----------------	------------------------

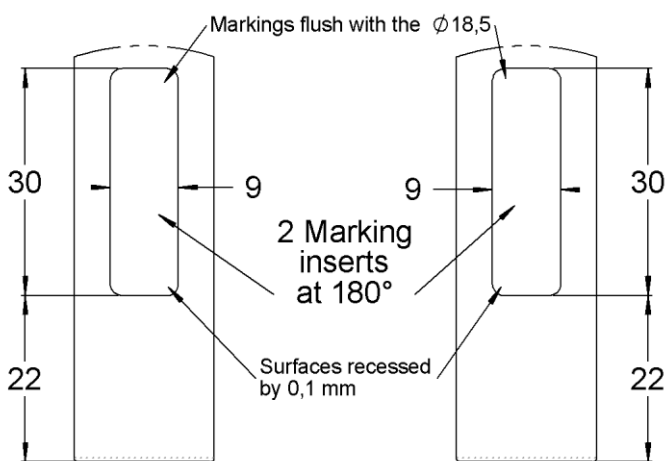
**DÉTAIL A
Scale 2 : 1**



Scale 1 : 2



Scale 1 : 1
Matching unit TNC interface
Front marking **Back marking**



All dimensions are in mm

PAGE 2/2	ISSUE 01-10-15A	SERIES ANTENNA	PART NUMBER R380000169
----------	------------------------	--------------------------	-------------------------------

ELECTRICAL CHARACTERISTICS

Frequency :	30-512	MHz
Nominal Impedance :	50	Ω
VSWR :	3.5:1	Max
Peak gain @ 30-512 MHz	-3	dBi
Radiation Pattern	Omni-directional	
Horizontal Plane :	Dipolar	
Vertical Plane :		
Polarization :	LINEAR VERTICAL	
Power rating :	20	W *
Connector type :	TNC plug (Male)	

MECHANICAL CHARACTERISTICS

Plastic radome :	Polyurethane	
	DESMOPAN 445	
Color :	MATTE BLACK	
Texture :	Mold-Tech MT-11030	
Overmolding flexibility:	±180°, 500 cycles	
Overmolding Pull strength	50	N
Maximum Mating Torque	22.2	N.cm
Weight :	135,3400	g
Overall length :	~333	mm
RoHS Compliant:	Yes	

ENVIRONMENTAL CHARACTERISTICS

Operating temperature :	-30/+60	° C
	IAW MIL-STD-810G	
	meth 501.5 & 502.5, proc II	
Storage temperature :	-35/+70	° C
	IAW MIL-STD-810G	
	meth 501.5 & 502.5, proc I	
Humidity :	Induced Hot Humid	
	IAW MIL-STD-810G	
	meth 507.5, proc II	
Immersion (mated to radio)	20m, for 2h	
	IAW MIL-STD-810G	
	meth 512.5, proc I	

OTHERS CHARACTERISTICS

* Depending on customer's usage or application